

**SONY**

Hi-Fi Products  
**Service Bulletin**

Sony Service Company - Technical Services  
A Division of Sony Corporation of America  
Sony Drive, Park Ridge, New Jersey 07656

**Model:** HST-V102

**No. 287**

**Subject:** Capstan Motor Fails Repeatedly

**Date:** August 14, 1992

**Symptom:**  
(\*\*)

The capstan motor runs at all times while the unit is powered on. This results in a shortened life of the motor.

**Solution:** Install additional components as described below:

QTY	Description	Part Number
2	Motor Leaf Switch	1-571-736-11
2	Motor Lever	3-358-286-01
1	Lead Wire (Twin)	N/A

1. Mount one (1) motor leaf switch in each of the motor A and motor B switch boards in the locations indicated in the layout drawing (see Figure 1).
2. Install both motor levers in the location indicated in the mechanism deck exploded view (see Figure 2). Use one (1) for deck A and one (1) for deck B.
3. Connect the twin lead wire to the points indicated in the layout drawing (see Figure 1).
4. When installation of the additional components is complete, the capstan motor should operate only when the unit is in an active mode (ie. PLAY, FF, REW).

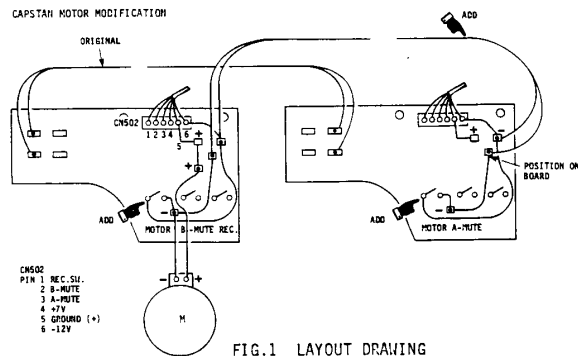


FIG.1 LAYOUT DRAWING

(Continued)

Reference: FPR M3115

PRINTED IN U.S.A.  
CSA-13892-1

Tape Deck  
**CSA-13**

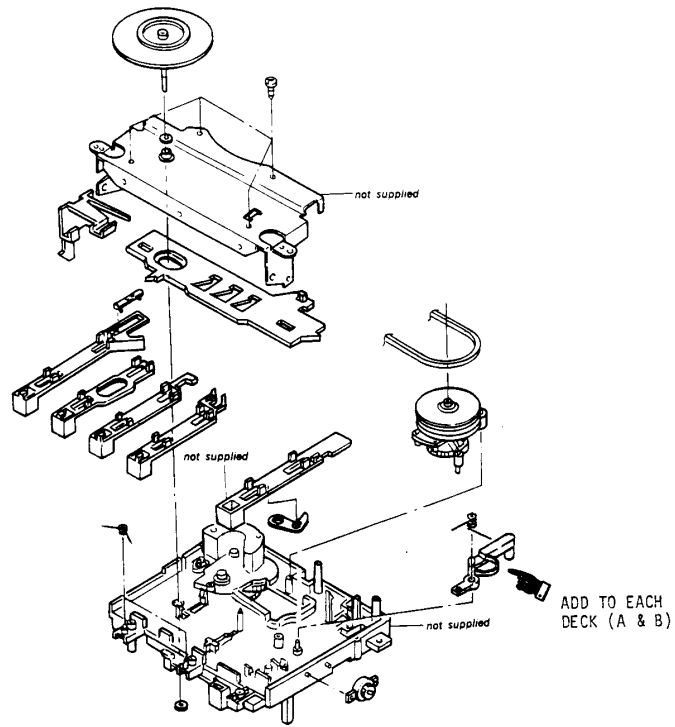


FIG.2 MECHANISM DECK